

REMOVAL

HINT:

- Use the same procedures for the RH side and LH side.
- The procedures described below are for the LH side.

1. PRECAUTION

CAUTION:

Read "PRECAUTION" thoroughly before servicing (See page [RS-1](#)).

2. DISCONNECT CABLE FROM NEGATIVE BATTERY TERMINAL

NOTICE:

Wait for at least 90 seconds after disconnecting the cable to prevent the airbag from working.

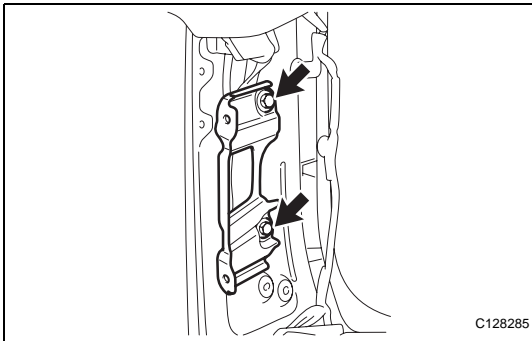
3. REMOVE ROOF HEADLINING

HINT:

Refer to the procedures up to "REMOVE ROOF HEADLINING" (See page [IR-13](#)).

4. REMOVE ASSIST GRIP RETAINER LH

- (a) Remove the 2 bolts and the assist grip retainer LH.



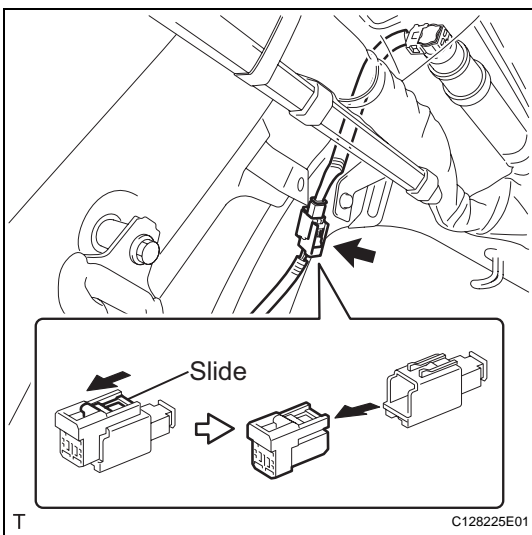
5. REMOVE CURTAIN SHIELD AIRBAG ASSEMBLY LH

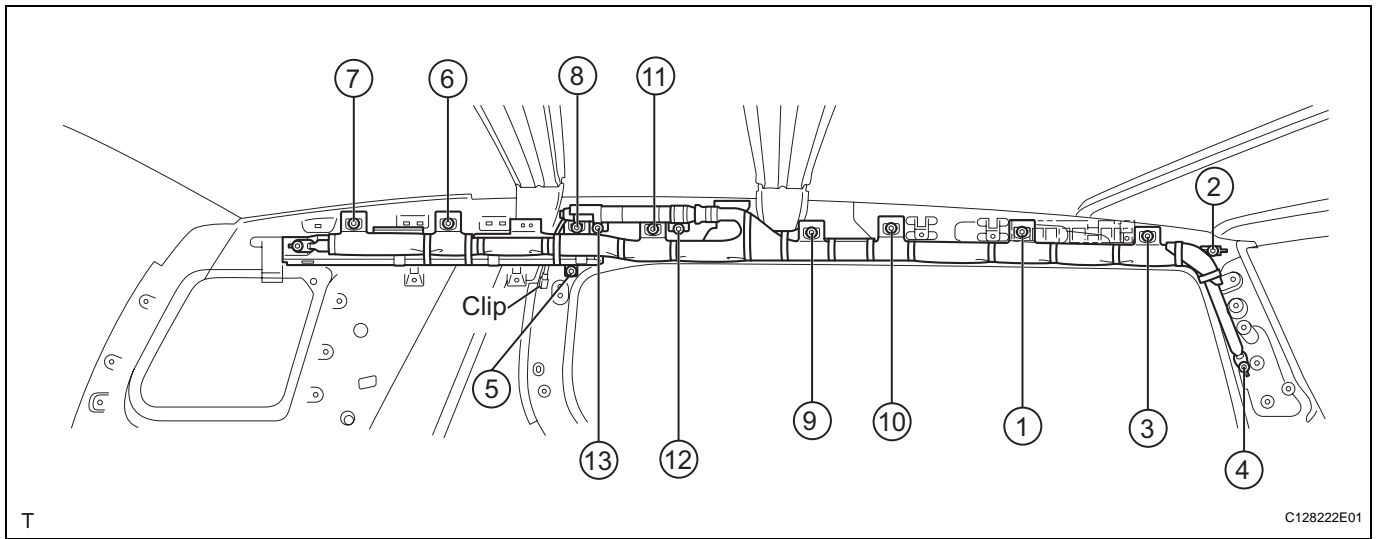
- (a) Disconnect the connector from the curtain shield airbag assembly LH.

NOTICE:

When handling the airbag connector, take care not to damage the airbag wire harness.

- (b) Remove the clip.
 (c) Remove the 13 bolts and the curtain shield airbag assembly LH in the order shown in the illustration.





RS